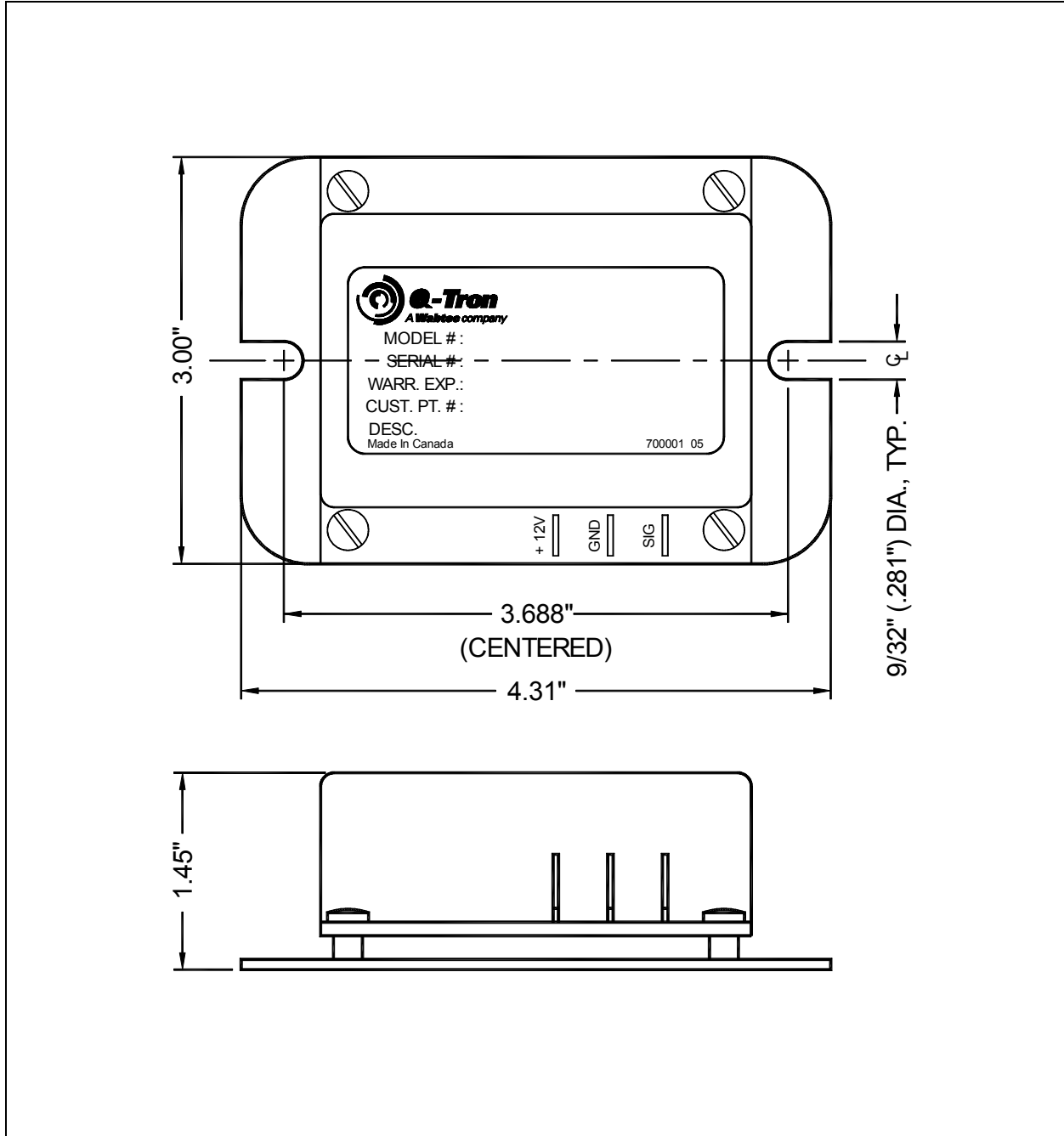


Barometric Sensor Assembly

Q-Tron Part No. 7282.0501

Product Information Sheet



Barometric Sensor Assembly
Q-Tron Part No. 7282.0501

Figure 1. Barometric Sensor Assembly application



Barometric Sensor Assembly Specifications

Q-Tron Part No.: 7282.0501
Weight: 1 lb (0.5 kg)

Operations

The Barometric Sensor Assembly sends a variable, altitude dependent, 1–6 VDC signal to the controlling equipment. This signal allows the controlling equipment to provide barometric compensation for the prime mover.

The 12 volts needed to power this are supplied from a source on the locomotive.

Mounting Instructions

Mount the Barometric Sensor Assembly in the relay area in the electrical cabinet.